

UNKNOWN SCORESHEET



A	Contest:		Date:	Category:
	National Unknowns June 25, 2005			Sportsman

No	Symbol	Catalogue No.	K	Total K	Score	Remarks
1		1.1.1 9.1.3.4	2 8	10		
2		8.1.1 9.1.1.4 9.1.5.2	13 12 4	29		
3		7.2.1 9.1.3.6	6 10	16		
4		1.6.3 9.11.1.4	10 5	15		
5		1.6.1 9.4.1.2	10 9	19		
6		1.2.3 9.2.4.4	7 9	16		
7		2.2.1	4	4		
8		7.9.1 9.1.2.4 9.1.4.4	15 10 8	33		
9		5.1.1	17	17		
10		1.1.1 9.9.3.4	2 11	13		
11						
12						

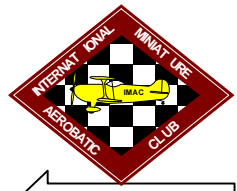
Item	Score
Sound	

Item	Yes/No
Pilot/Panel	

TOTAL K = **172**

pilot

A/C Type



B	Contest:	National Unknowns June 25, 2005	
	Date:	Program:	Sportsman UNKNOWN

wind direction
←

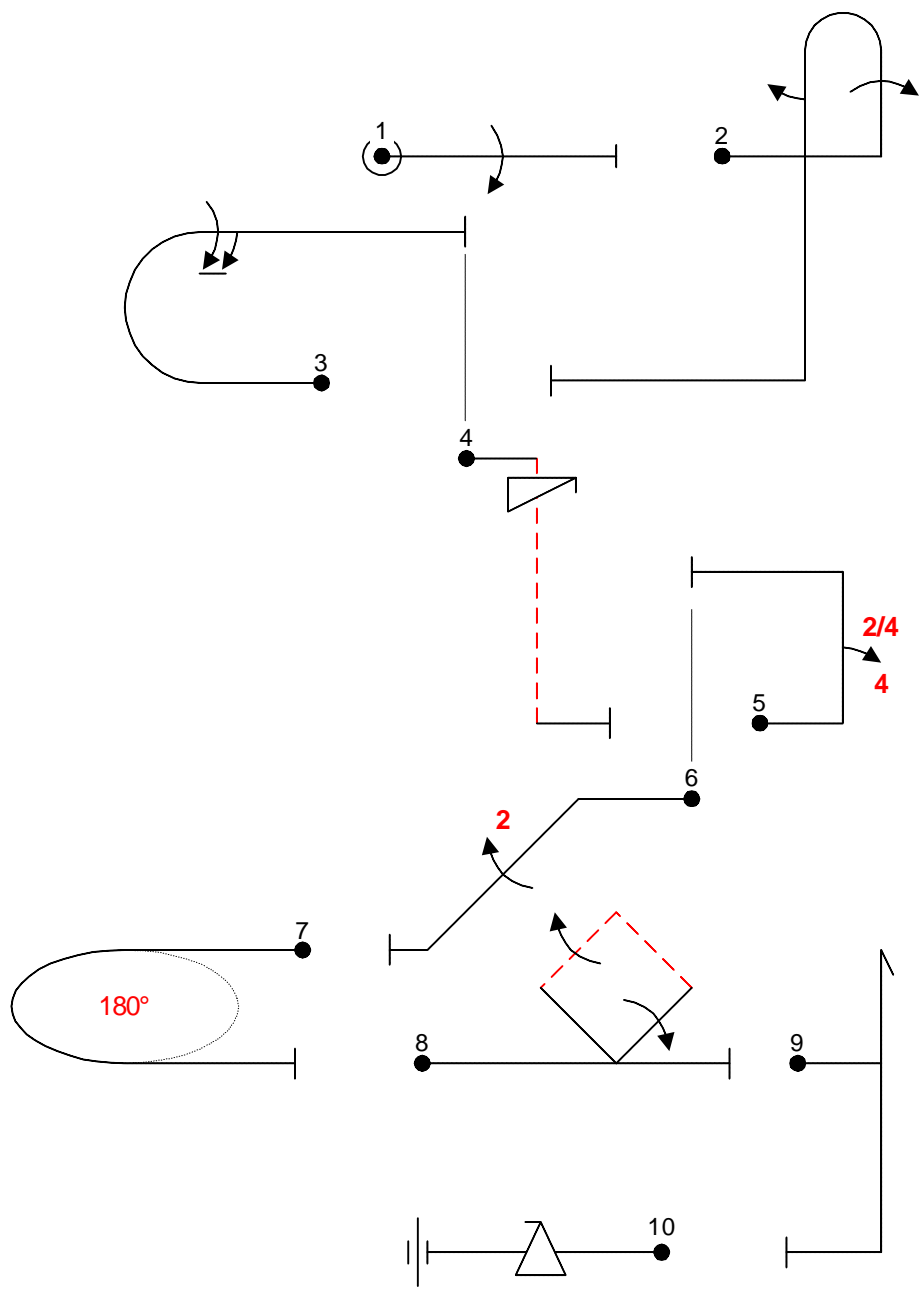


Fig 1	1.1.1 9.1.3.4	2 8	10
Fig 2	8.1.1 9.1.1.4 9.1.5.2	13 12 4	29
Fig 3	7.2.1 9.1.3.6	6 10	16
Fig 4	1.6.3 9.11.1.4	10 5	15
Fig 5	1.6.1 9.4.1.2	10 9	19
Fig 6	1.2.3 9.2.4.4	7 9	16
Fig 7	2.2.1	4	4
Fig 8	7.9.1 9.1.2.4 9.1.4.4	15 10 8	33
Fig 9	5.1.1	17	17
Fig 10	1.1.1 9.9.3.4	2 11	13
Total K = 172			



C	Contest:	National Unknowns June 25, 2005
	Date:	Program: Sportsman UNKNOWN

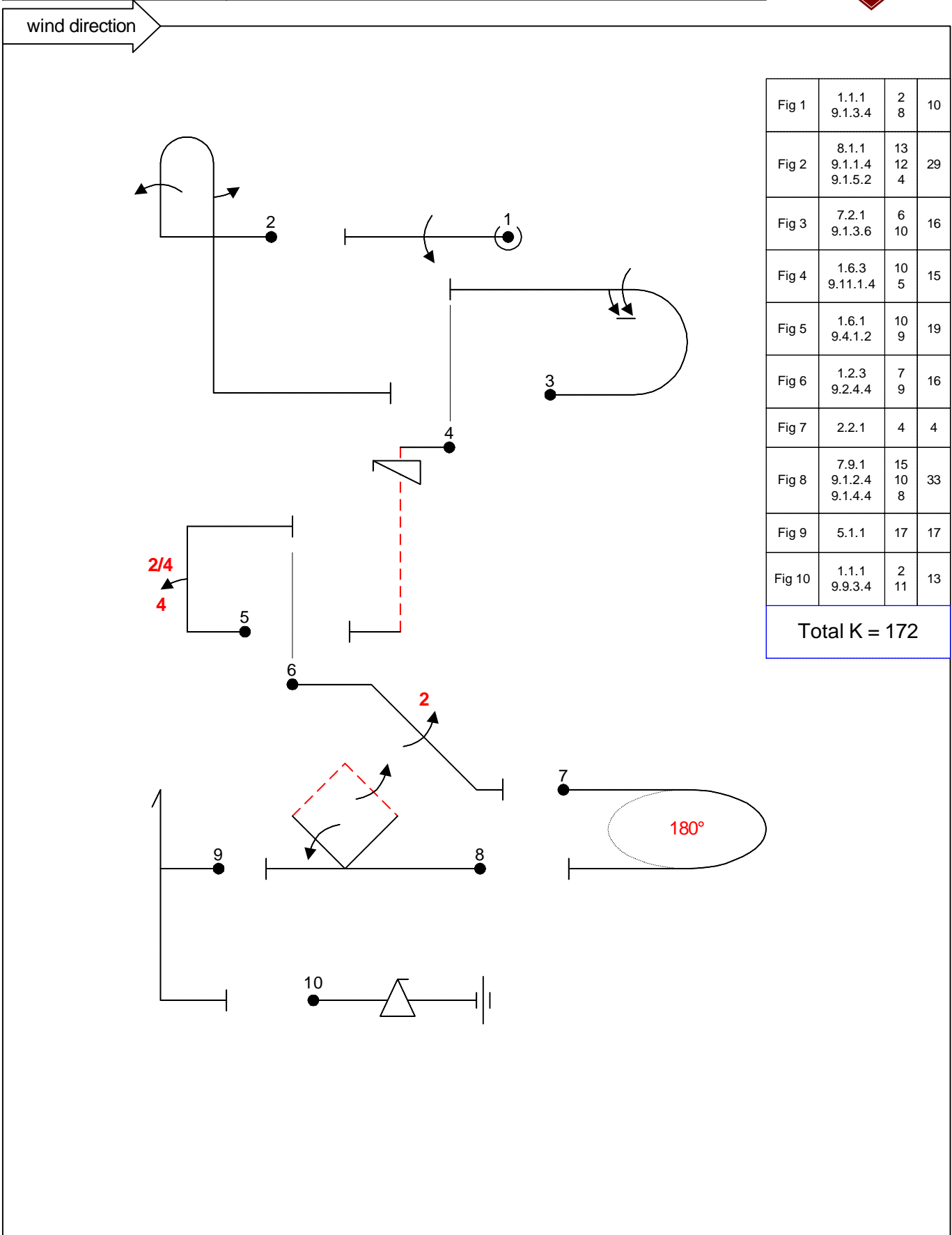


Fig 1	1.1.1 9.1.3.4	2 8	10
Fig 2	8.1.1 9.1.1.4 9.1.5.2	13 12 4	29
Fig 3	7.2.1 9.1.3.6	6 10	16
Fig 4	1.6.3 9.11.1.4	10 5	15
Fig 5	1.6.1 9.4.1.2	10 9	19
Fig 6	1.2.3 9.2.4.4	7 9	16
Fig 7	2.2.1	4	4
Fig 8	7.9.1 9.1.2.4 9.1.4.4	15 10 8	33
Fig 9	5.1.1	17	17
Fig 10	1.1.1 9.9.3.4	2 11	13
Total K = 172			